

Power Supplies

Power supplies

The CLICK PLC family offers two 24 VDC power supplies. They are identical except for the output current.

It is not mandatory to use one of these CLICK power supplies for the CLICK PLC system. You can use any other 24 VDC power supply that Automationdirect.com offers.

C0-00AC Power Supply

Limited auxiliary AC power supply allows you to power the 24 VDC CLICK C0 series CPUs with 100-240 VAC supply power. The 0.5A DC power supply is capable of controlling the CPU plus a limited configuration based on the power budget of each I/O module. The C0-00AC is a low-cost solution for applications requiring only minimal I/O and power consumption. This power supply will not support a fully-populated CLICK PLC system with all possible I/O module combinations.

CLICK 24 VDC Power Supply Ratings	
Part Number	Output Current
C0-00AC	0.5 A
C0-01AC	1.3 A

C0-00AC Power Supply Specifications	
Input Voltage Range	85-264 VAC
Input Frequency	47-63 Hz.
Input Current (typical)	0.3 A @ 100 VAC, 0.2 A @ 200 VAC
Inrush Current	30 A
Output Voltage Range	23-25 VDC
Output Current	0.5 A
Over Current Protection	@ 0.65 A (automatic recovery)
Weight	5.3 oz (150g)



24 VDC Output Power Terminals (for CLICK PLC, I/O or field device, etc.)

85-264 VAC Power Source Input Terminals

C0-01AC Power Supply

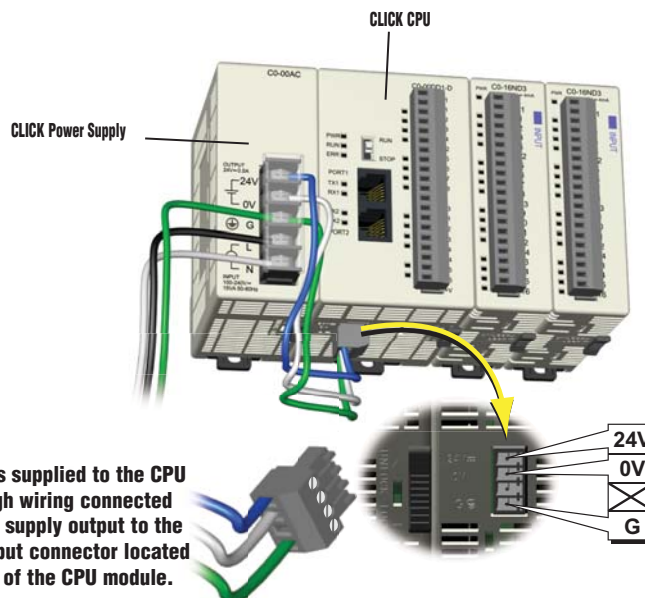
Expanded auxiliary AC power supply allows you to power the 24 VDC CLICK C0 series CPUs with 100-240 VAC supply power. The 1.3A DC power supply is capable of supporting a fully-populated CLICK PLC system with all possible I/O module combinations, with no concerns for exceeding the power budget.

C0-01AC Power Supply Specification	
Input Voltage Range	85-264 VAC
Input Frequency	47-63 Hz.
Input Current (typical)	0.9 A @ 100 VAC, 0.6 A @ 200 VAC
Inrush Current	30 A
Output Voltage Range	23-25 VDC
Output Current	1.3 A
Over Current Protection	@ 1.6 A (automatic recovery)
Weight	6.0 oz (170g)



24 VDC Output Power Terminals (for CLICK PLC, I/O or field device, etc.)

85-264 VAC Power Source Input Terminals



24 VDC power is supplied to the CPU module through wiring connected from the power supply output to the 4-pin 24 VDC input connector located on the bottom of the CPU module.

