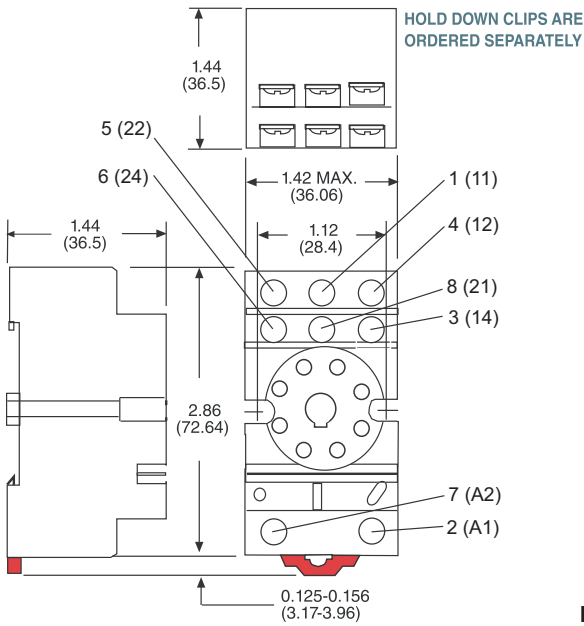
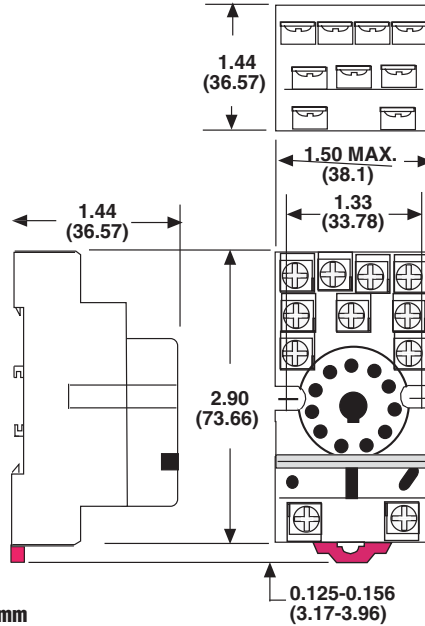


# 75 Series Socket Dimensions

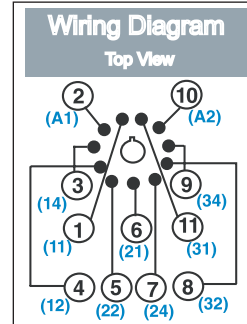
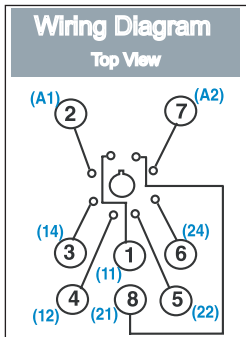
## 750-2C-SKT Dimensions



## 750-3C-SKT Dimensions



Dimensions: in./mm



Bus Connector



Accessory		
Part Number	Description	Price
33-796-1	Coil bus connector used to connect multiple relays in parallel. Package includes 5 pairs of bus bars to connect up to 5 relays together.	<--->