

# 75 Series Electromechanical Relay Selection Guide



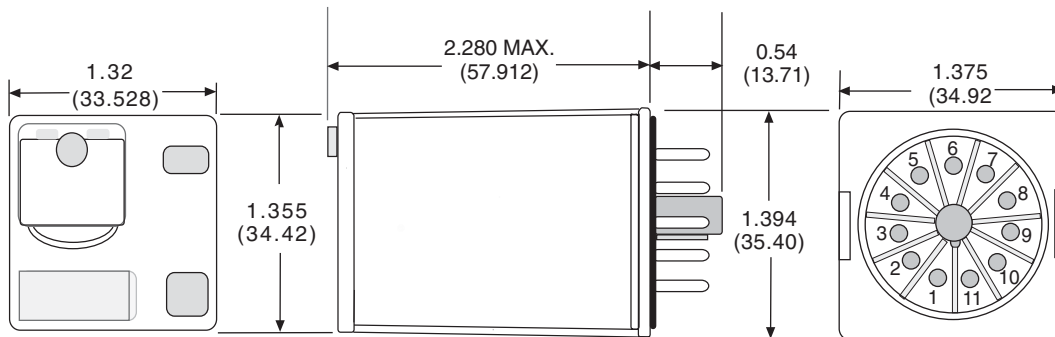
75 series relays are general purpose relays designed for a wide range of applications, from power to sequence controls in various factory machines and control panels. They are ideal for electric control panels requiring stable and reliable relays.

## Features

- Octal base design
- Silver Cadmium Oxide, gold flashed contacts
- High open contact dielectric strength (1,500 VAC)
- High reliability and long life
- High vibration and shock resistance
- Flag indicator shows relay status in manual or powered condition
- LED indicator on all models, so you can easily see if relay is working properly without using a voltmeter
- A push button allows manual operation of the relay without the need for power to the coil
- I.D. tag/write label for identifying relays in multi-relay circuits

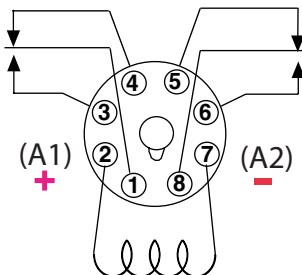
75 Series Relay Selection Guide							
Part Number	Price	Coil Voltage	Configuration	Contact Rating	Relay Socket Part Number	Price	
<b>750-2C-24D</b>	<-->	24VDC	DPDT	12A	<b>750-2C-SKT</b>	<-->	
<b>750-2C-24A</b>		24VAC					
<b>750-2C-120A</b>		120VAC					
<b>750-2C-240A</b>	220VAC						
<b>750-3C-24D</b>	<-->	24VDC	3PDT		12A	<b>750-3C-SKT</b>	<-->
<b>750-3C-24A</b>		24VAC					
<b>750-3C-120A</b>		120VAC					
<b>750-3C-240A</b>		240VAC					

## 75 Series Relay Dimensions

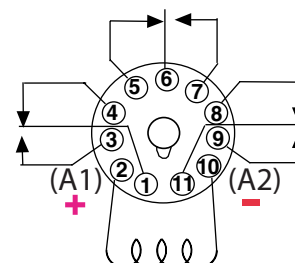


Note: Dimensions for the 750-2C-xxx are the same as shown above.

### 750-2C-xxx wiring diagram



### 750-3C-xxx wiring diagram



*ORDER SOCKET SEPARATELY*

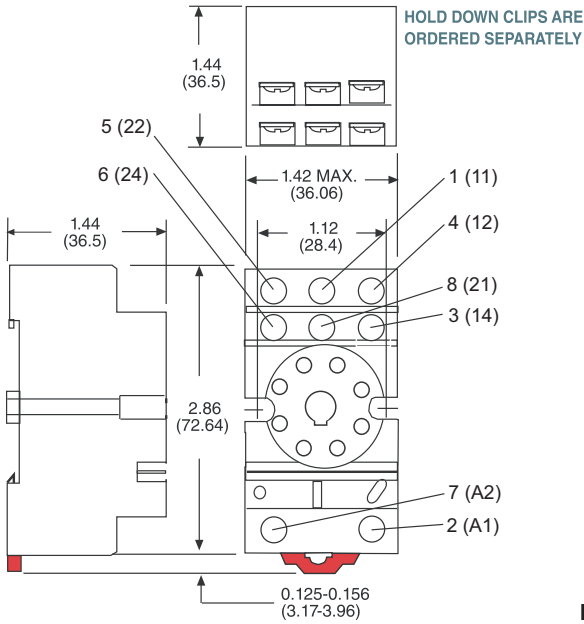
# 75 Series Electromechanical Relay Specifications

75 Series Specification Table								
Part Numbers	750-2C-24A	750-2C-120A	750-2C-240A	750-3C-24A	750-3C-120A	750-3C-240A	750-2C-24D	750-3C-24D
<b>Contact Specifications</b>								
<b>Contact Type</b>	DPDT			3PDT			DPDT	3PDT
<b>Contact Material</b>	Silver cadmium oxide, gold flashed							
<b>Contact Rating</b>	12A @ 120/240VAC 50/60Hz, 12A @ 28VDC 1/3Hp 120VAC, 1/2Hp 240VAC							
<b>Minimum Recommended Load</b>	100mA @ 5VDC							
<b>Contact Resistance</b>	0.050Ω max. @ 10A, 120VAC or 24VDC Contacts conditioned for 50 make and break operations @ 1 sec. ON and 1 sec. OFF.							
<b>Coil Specifications</b>								
<b>Standard</b>	LED Indicator							
<b>Coil Input Voltage</b>	24VAC	120VAC	240VAC	24VAC	120VAC	240VAC	24VDC	24VDC
<b>Coil Resistance</b>	72Ω	1.7kΩ	9.1kΩ	72Ω	1.7kΩ	9.1kΩ	72Ω	
<b>Power Consumption</b>	2VA to 3.55VA (60Hz) AC						3.0 watts DC	
<b>Dropout Voltage (% of rated voltage)</b>	Min. 30%						Min. 10%	
<b>Pull-in Voltage</b>	Max. 85% of nominal voltage or less						Max. 80% of nominal voltage or less	
<b>Max. Voltage (Max. continuous voltage)</b>	110% of the rated coil voltage							
<b>General Specifications</b>								
<b>Service Life</b>	Mechanical: 5 million operations							
	Electrical: 200,000 operations @ rated resistive load							
<b>Operating Temperature</b>	-40°C to 50°C (-40°F to 122°F)						-40°C to 65°C (-40°F to 149°F)	
<b>Weight</b>	88g (3.1oz.)							
<b>Agency Approvals and Standards</b>	UL Listed (#E150190), CE Certified (9667186-9811), CSA Certified							

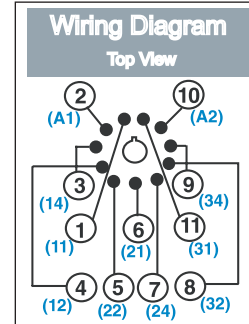
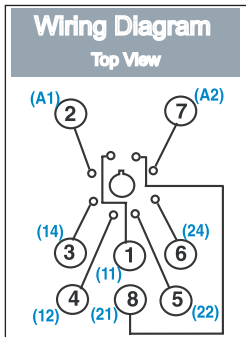
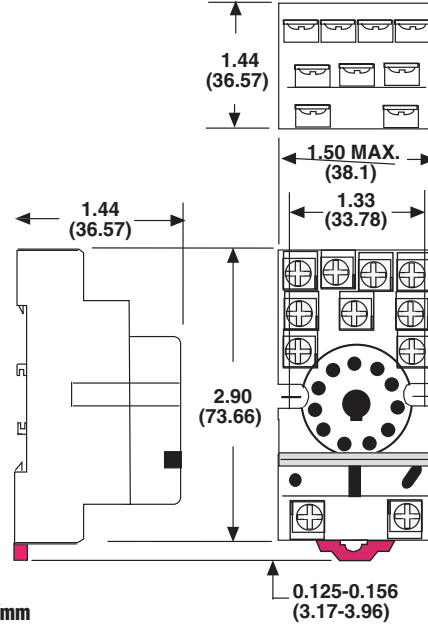
75 Series Contact Ratings (current)				
Voltage	Resistive			Motor Load
	Nominal	UL	CSA	UL
28VDC	12A	12A	12A	---
120VAC	12A	12A	12A	1/3Hp
240VAC	12A	12A	12A	1/2Hp

# 75 Series Socket Dimensions

## 750-2C-SKT Dimensions



## 750-3C-SKT Dimensions



Bus Connector



Accessory		
Part Number	Description	Price
33-796-1	Coil bus connector used to connect multiple relays in parallel. Package includes 5 pairs of bus bars to connect up to 5 relays together.	<--->