

Sockets for QL/QM Series Relays

SQL08D



Din-rail mounting, DPDT, for use with QL2 series relays

<--->

SQL14D



Din-rail mounting, 4PDT, for use with QL4 series relays

<--->

SQM08D



Din-rail mounting, DPDT, for use with QM2 series relays

<--->

SQM14D



Din-rail mounting, 4PDT, for use with QM4 series relays

<--->

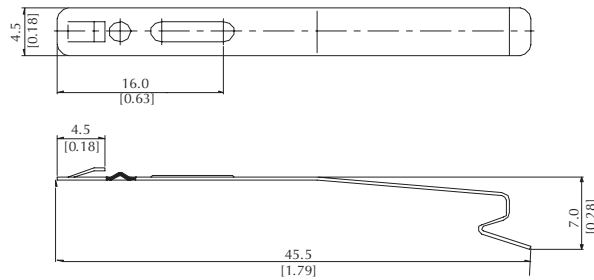
Holding Clips

- Holding clips for the QL2, QL4, QM2 and QM4 series relays can be removed by pushing the side of the inserting hole with a sharp object

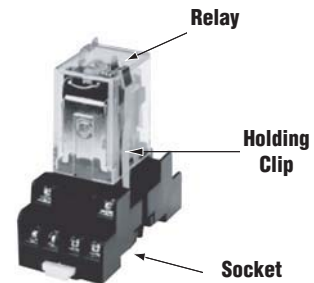
Note: Order sockets separately; holding clips are included with sockets.

Holding Clip Dimensions

Holding clip for QL4 series relays is included with SQL14D sockets.

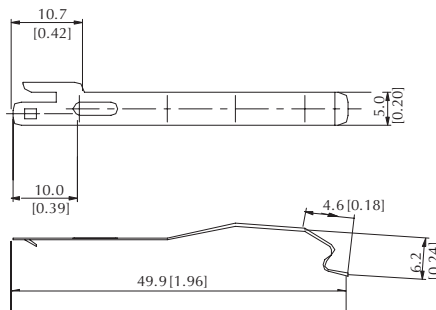


Insert holding clip into the slots provided on the socket.



Holding Clip Dimensions

Holding clip for QL2, QM2 and QM4 series relays is included with SQL08D, SQM08D and SQM14D sockets.



Socket Dimensions for QL/QM Series Relays

Figure 3
SQL08D (for QL2 Series Relays)

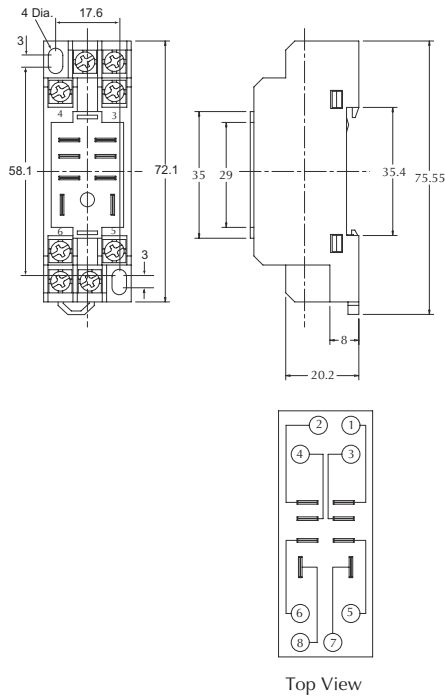


Figure 4
SQL14D (for QL4 Series Relays)

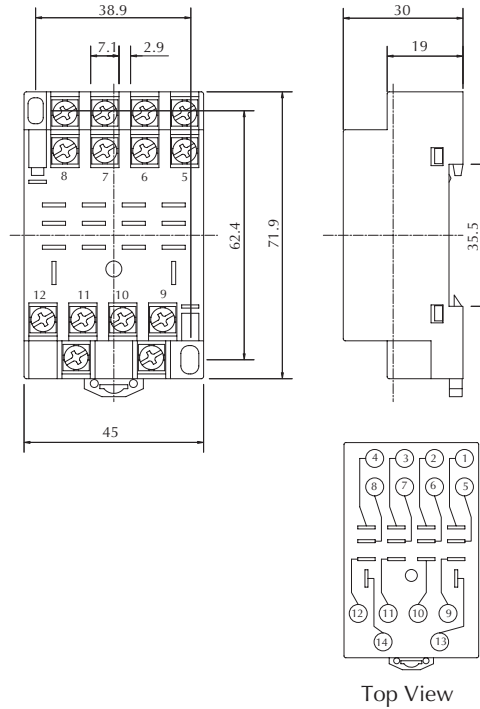


Figure 5
SQM08D (for QM2 Series Relays)

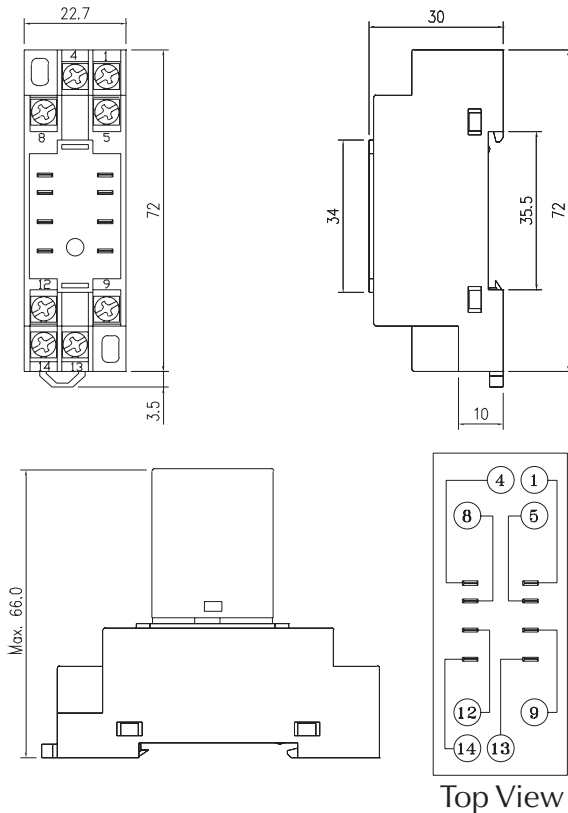


Figure 6
SQM14D (for QM4 Series Relays)

