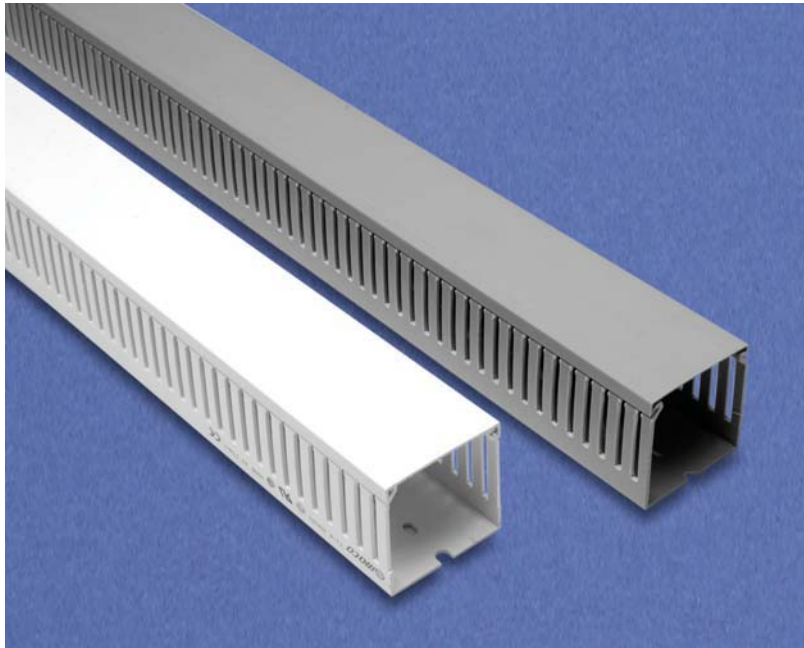


# Wiring Duct – T1E Thin Finger Series



## Overview

The T1E series of thin-finger wiring duct is made of rigid PVC and carries a UL 94V-0 flammability rating. All our wiring duct comes complete with cover. Replacement duct covers can be purchased separately.

## Features

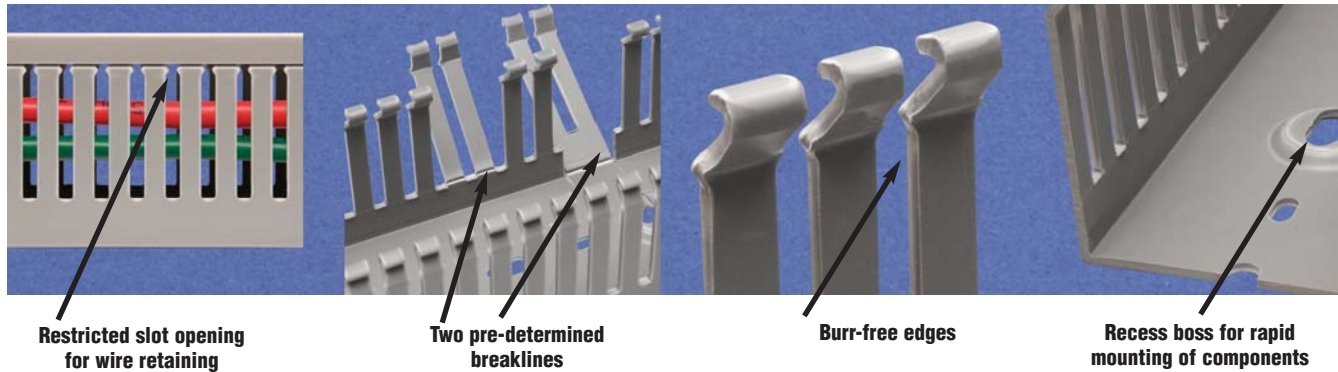
- Thin finger design for compact wiring configurations
- Provided with standard mounting holes
- Rounded, burr-free edges will not cut installers' hands or wiring insulation
- Non-slip cover
- Narrow thin finger design is compatible with thinner screwless terminal blocks
- Flush cover design holds 10 - 12 percent more wires than traditional designs
- Restricted slot design retains wires in slot for fast, easy wire installation or removal
- Two predetermined break lines, one for breaking off and removal of sidewall finger segments only, and another for removal of sidewall finger and base segments
- Patented recess boss for rapid mounting of components

Gray Open Slot Rigid PVC (including cover)					
Catalog Number Standard Carton	Package Quantity	Price	Catalog Number Single Piece Pkg	Package Quantity	Price
T1E-1015G	18	<-->	T1E-1015G-1	1	<-->
T1E-1022G	24	<-->	T1E-1022G-1	1	<-->
T1E-1030G	24	<-->	T1E-1030G-1	1	<-->
T1E-1515G	20	<-->	T1E-1515G-1	1	<-->
T1E-1522G	18	<-->	T1E-1522G-1	1	<-->
T1E-1530G	16	<-->	T1E-1530G-1	1	<-->
T1E-1540G	8	<-->	T1E-1540G-1	1	<-->
T1E-2215G	12	<-->	T1E-2215G-1	1	<-->
T1E-2222G	12	<-->	T1E-2222G-1	1	<-->
T1E-2230G	12	<-->	T1E-2230G-1	1	<-->
T1E-2240G	4	<-->	T1E-2240G-1	1	<-->
T1E-3015G	12	<-->	T1E-3015G-1	1	<-->
T1E-3022G	12	<-->	T1E-3022G-1	1	<-->
T1E-3030G	12	<-->	T1E-3030G-1	1	<-->
T1E-3040G	4	<-->	T1E-3040G-1	1	<-->
T1E-4015G	8	<-->	T1E-4015G-1	1	<-->
T1E-4022G	8	<-->	T1E-4022G-1	1	<-->
T1E-4030G	8	<-->	T1E-4030G-1	1	<-->
T1E-4040G	4	<-->	T1E-4040G-1	1	<-->

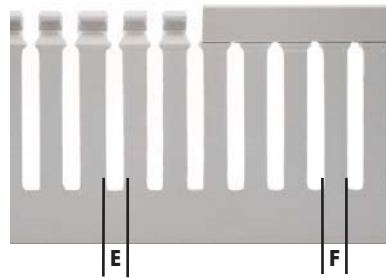
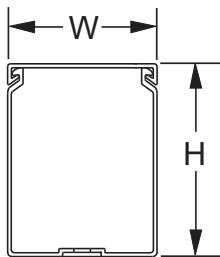
White Open Slot Rigid PVC (including cover)					
Catalog Number Standard Carton	Package Quantity	Price	Catalog Number Single Piece Pkg	Package Quantity	Price
T1E-1015W	18	<-->	T1E-1015W-1	1	<-->
T1E-1022W	24	<-->	T1E-1022W-1	1	<-->
T1E-1030W	24	<-->	T1E-1030W-1	1	<-->
T1E-1515W	20	<-->	T1E-1515W-1	1	<-->
T1E-1522W	18	<-->	T1E-1522W-1	1	<-->
T1E-1530W	16	<-->	T1E-1530W-1	1	<-->
T1E-1540W	8	<-->	T1E-1540W-1	1	<-->
T1E-2222W	12	<-->	T1E-2222W-1	1	<-->
T1E-2230W	12	<-->	T1E-2230W-1	1	<-->
T1E-2240W	4	<-->	T1E-2240W-1	1	<-->
T1E-3022W	12	<-->	T1E-3022W-1	1	<-->
T1E-3030W	12	<-->	T1E-3030W-1	1	<-->
T1E-3040W	4	<-->	T1E-3040W-1	1	<-->
T1E-4030W	8	<-->	T1E-4030W-1	1	<-->
T1E-4040W	4	<-->	T1E-4040W-1	1	<-->

Note: All T1E duct comes in 6.56"(2m) lengths.

# Wiring Duct – T1E Thin Finger Series



## Dimensions



Open Slot Rigid PVC (including cover) Dimensions				
Nominal Size (WxH) inches (mm)	Catalog Part Number	Actual Size (WxH) inches (mm)	Dimension E inches (mm)	Dimension F inches (mm)
1.00 x 1.50 (25.4 x 38.1)	<b>T1E-1015*</b>	1.00 x 1.57 (25 x 40)	0.16 (4.06)	0.24 (6.10)
1.00 x 2.25 (25.4 x 57.15)	<b>T1E-1022*</b>	1.00 x 2.36 (25 x 60)	0.16 (4.06)	0.24 (6.10)
1.00 x 3.00 (25.4 x 76.2)	<b>T1E-1030*</b>	1.00 x 3.15 (25 x 80)	0.16 (4.06)	0.24 (6.10)
1.50 x 1.50 (38.1 x 38.1)	<b>T1E-1515*</b>	1.57 x 1.57 (40 x 40)	0.16 (4.06)	0.24 (6.10)
1.50 x 2.25 (38.1 x 57.15)	<b>T1E-1522*</b>	1.57 x 2.36 (40 x 60)	0.16 (4.06)	0.24 (6.10)
1.50 x 3.00 (38.1 x 76.2)	<b>T1E-1530*</b>	1.57 x 3.15 (40 x 80)	0.16 (4.06)	0.24 (6.10)
1.50 x 4.00 (38.1 x 101.6)	<b>T1E-1540*</b>	1.57 x 3.94 (40 x 100)	0.31 (7.87)	0.47 (11.94)
2.25 x 1.50 (57.15 x 38.1)	<b>T1E-2215G</b>	2.36 x 1.57(60 x 40)	0.16 (4.06)	0.24 (6.10)
2.25 x 2.25 (57.15 x 57.15)	<b>T1E-2222*</b>	2.36 x 2.36 (60 x 60)	0.16 (4.06)	0.24 (6.10)
2.25 x 3.00 (57.15 x 76.2)	<b>T1E-2230*</b>	2.36 x 3.15 (60 x 80)	0.16 (4.06)	0.24 (6.10)
2.25 x 4.00 (57.15 x 101.6)	<b>T1E-2240*</b>	2.36 x 3.94 (60 x 100)	0.31 (7.87)	0.47 (11.94)
3.00 x 1.50 (76.2 x 38.1)	<b>T1E-3015G</b>	3.15 x 1.57 (80 x 40)	0.16 (4.06)	0.24 (6.10)
3.00 x 2.25 (76.2 x 57.15)	<b>T1E-3022*</b>	3.15 x 2.36 (80 x 60)	0.16 (4.06)	0.24 (6.10)
3.00 x 3.00 (76.2 x 76.2)	<b>T1E-3030*</b>	3.15 x 3.15 (80 x 80)	0.16 (4.06)	0.24 (6.10)
3.00 x 4.00 (76.2 x 101.6)	<b>T1E-3040*</b>	3.15 x 3.94 (80 x 100)	0.31 (7.87)	0.47 (11.94)
4.00 x 1.50 (101.6 x 38.1)	<b>T1E-4015G</b>	3.94 x 1.57 (100 x 40)	0.16 (4.06)	0.24 (6.10)
4.00 x 2.25 (101.6 x 57.15)	<b>T1E-4022G</b>	3.94 x 2.36 (100 x 60)	0.16 (4.06)	0.24 (6.10)
4.00 x 3.00 (101.6 x 76.2)	<b>T1E-4030*</b>	3.94 x 3.15 (100 x 80)	0.16 (4.06)	0.24 (6.10)
4.00 x 4.00 (101.6 x 101.6)	<b>T1E-4040*</b>	3.94 x 3.94 (100 x 100)	0.16 (4.06)	0.24 (6.10)

Note: All T1E duct comes in 6.563(2m) lengths

\*Color: add suffix "G" for light Gray  
add suffix "W" for White

Package: add "-1" for single piece package

Millimeters to Inches Conversion 25.4 millimeters= (1 inch)	
millimeters	inches
4.5	0.177
6.5	0.256
8	0.315
14	0.551
15	0.591
25	0.984
40	1.575
50	1.969
60	2.363
80	3.150
100	3.93

# Wiring Duct – T1E Thin Finger Series

## Wire Fill Capacity

Wire Fill Capacity						
Nominal Duct Size (in inches)	12 AWG	14 AWG	16AWG	18 AWG	22 AWG	
	Insulation Thickness (in inches)					
	1/32	3/64	1/32	1/32	1/32	1/64
	OD-0.158	OD-0.165	OD-0.139	OD-0.125	OD-0.113	OD-0.065
Recommended Maximum Number of Wires per Wiring Duct (based on 60% fill capacity)						
1 x 1 1/2	31	28	39	48	59	180
1 x 2 1/4	45	40	57	71	85	261
1 x 3	59	53	75	92	113	341
1 1/2 x 1 1/2	51	46	65	81	99	299
1 1/2 x 2 1/4	77	70	98	121	148	449
1 1/2 x 3	102	92	130	160	196	593
1 1/2 x 4	125	113	159	197	241	729
2 1/4 x 1 1/2	78	70	99	123	150	453
2 1/4 x 2 1/4	114	103	146	180	221	667
2 1/4 x 3	156	141	199	246	302	912
2 1/4 x 4	194	176	247	306	375	1132
3 x 1 1/2	105	95	134	165	203	612
3 x 2 1/4	159	144	203	251	307	928
3 x 3	214	193	272	337	412	1246
3 x 4	267	242	341	421	515	1558
4 x 1 1/2	132	120	169	208	255	771
4 x 2 1/4	201	182	256	316	387	1171
4 x 3	270	244	344	425	520	1573
4 x 4	336	305	429	531	650	1963

### Overview

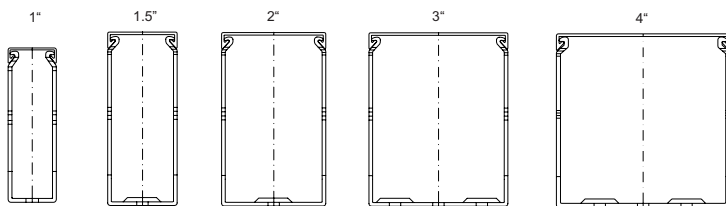
The base perforation of the T1 and T1E wiring duct series allows mounting on the panel with rivets (R6 or R4), or on DIN rail.

The recess bosses in the base permit rapid mounting of wire retainers (CL series), inserts (ZP2), and separators (SEP series) inside the wiring duct.

**Note:** Duct base perforation according to DIN 43659 and DIN VDE 0660 TEIL 506.

### Dimensions

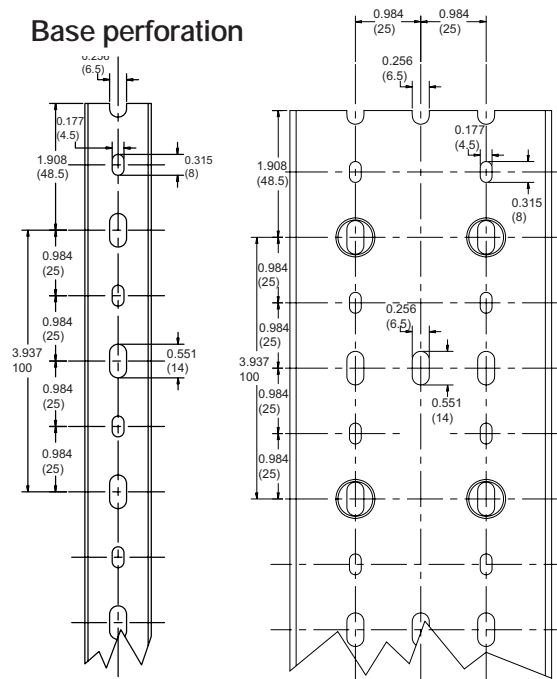
front section



#### Inches to Millimeters Conversion 1 inch = (25.4 millimeters)

inches	millimeters
0.177	4.5
0.256	6.5
0.315	8
0.551	14
0.591	15
0.984	25
1.575	40
1.969	50
2.363	60
3.150	80
3.93	100

### Base perforation



1", 1.5", 2" wide

3" and 4" wide