

LED Modules

LED/sensor modules provide simple and logical termination for 3-wire sensors or other devices. These modules offer visual LED indication of device input status for quick troubleshooting. The LED/sensor modules are available in 120V AC or 24V AC/DC in 8 or 16-point versions, and offer extra termination points for daisy-chaining multiple modules.

Modules mount on 35 mm DIN rail part #DN-R35S1 (see Accessories below).



ZL-CM08L24



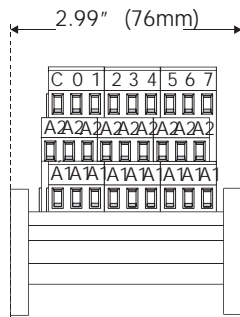
ZL-CM08L120



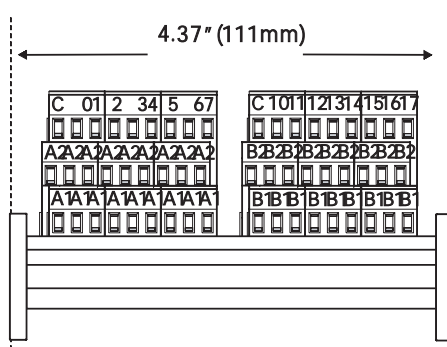
ZL-CM16L24

Specifications									
LED Modules	Part #	Pcs/Pkg	Price/Pkg	Part #	Pcs/Pkg	Price/Pkg	Part #	Pcs/Pkg	Price/Pkg
		ZL-CM08L24	1	<-->	ZL-CM08L120	1	<-->	ZL-CM16L24	1
Description	8 point I/O connector module with 8 LEDs, 24V, 20 pin IDC			8 point I/O connector module with 8 LEDs, 120V, 20 pin IDC			16 point I/O connector module with 16 LEDs, 24V, 24 pin IDC		
Approvals	UL/CUL/CE			UL/CUL/CE			UL/CUL/CE		
Operation Voltage	5-26VDC			48-120VAC			5-26VDC		
Max Voltage	30VDC			120VAC			30VDC		
Max Current per Channel	500mA			500mA			500mA		
Current Nominal per Channel	8-18mA			15-18mA			8-18mA		
Maximum Current (per Circuit)	1A			1A			1A		
Maximum Current (per Module)	8A			8A			16A		
Voltage Rating	0-30 VAC/DC			0-120VAC			0-30 VAC/DC		
Peak Voltage	70V			200VAC			70V		
Indicator Circuit Current	2mA			2mA			2mA		
# of Terminals per Device Common	10			10			18		
Terminal Block Contacts	Copper alloy, tin-lead plating								
Wire Range (Rated Cross Section)	14-22 AWG (0.2-2.5mm ²)			14-22 AWG (0.2-2.5mm ²)			14-22 AWG (0.2-2.5mm ²)		
Wire Strip Length	0.32 (8mm)			0.32 (8mm)			0.32 (8mm)		
Operating Temperature Range	0°C to +50°C			0°C to +40°C			0°C to +50°C		
Dimensions (L x W x H)	2.99"(76mm)x2.99"(76mm)x3.66"(93mm)			2.99"(76mm)x2.99"(76mm)x3.66"(93mm)			4.37"(111mm) x2.99"(76mm) x 3.66"(93mm)		

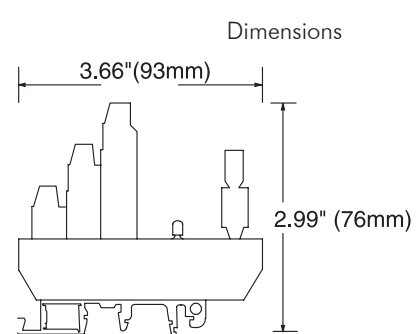
Accessories									
	Part #	Pcs/Pkg	Price/Pkg	Part #	Pcs/Pkg	Price/Pkg	Part #	Pcs/Pkg	Price/Pkg
DIN Rail	DN-R35S1	10	<-->	DN-R35S1	10	<-->	DN-R35S1	10	<-->
Angled Support Bracket	DN-ASB1	50	<-->	DN-ASB1	50	<-->	DN-ASB1	50	<-->
End Bracket	DN-EB35	50	<-->	DN-EB35	50	<-->	DN-EB35	50	<-->
Slotted Screwdriver	DN-SS1	1	<-->	DN-SS1	1	<-->	DN-SS1	1	<-->



ZL-CM08L24
ZL-CM08L120



ZL-CM16L24



Note: See wiring details on our Web site at:
<http://www.automationdirect.com/static/manuals/ziplinks/ziplinks.html>

LED Modules

LED/sensor modules provide simple and logical termination for 3-wire sensors or other devices. These modules offer visual LED indication of device input status for quick troubleshooting. The LED/sensor modules are available in 120V AC or 24V AC/DC in 8 or 16-point versions, and offer extra termination points for daisy-chaining multiple modules.

Modules mount on 35 mm DIN rail part #DN-R35S1 (see Accessories below).



ZL-CM16L120

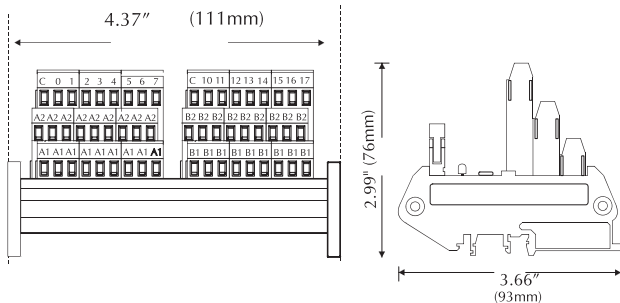


ZL-CM32L524

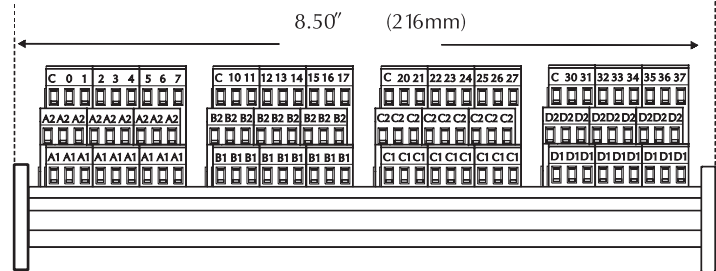
Specifications						
LED Modules	Part #	Pcs/Pkg	Price/Pkg	Part #	Pcs/Pkg	Price/Pkg
		ZL-CM16L120	1	<--->	ZL-CM32L524	1
Description	16-point I/O connector module with 16 LEDs, 120VAC, 24 pin IDC			32-point I/O connector module with 32 LEDs, 5 - 28VDC, 40 pin IDC		
Approvals	UL/CUL/CE			UL/CUL/CE		
Operation Voltage	48 - 120VAC			5-26VDC		
Max Voltage	120VAC			30VDC		
Max Current per Channel	500mA			500mA		
Current Nominal per Channel	15-18mA			8-18mA		
Terminal Block Contacts	Copper alloy, tin - lead plating					
Wire Range (Rated Cross Section)	14 - 22 AWG (0.2 - 2.5mm ²)			14 - 22 AWG (0.2 - 2.5mm ²)		
Wire Strip Length	0.32" (8mm)			0.32" (8mm)		
Voltage Rating	0 - 120VAC			0 - 30 VAC/DC		
Maximum Peak Voltage	200VAC			70V		
Maximum Current (per Circuit)	1A			1A		
Maximum Current (per Module)	16A			32A		
Indicator Circuit Current (Nominal)	2mA			1mA		
No. of Terminals per Device Common	10			36		
Operating Temperature Range	0°C to +40°C			0°C to +50°C		
Dimensions (L x W x H)	4.37"(111mm)x2.99"(76mm)x2.58"(93mm)			8.50"(216mm)x2.99"(76mm)x3.66"(93mm)		

Accessories						
	Part #	Pcs/Pkg	Price/Pkg	Part #	Pcs/Pkg	Price/Pkg
DIN Rail	DN-R35S1	10	<--->	DN-R35S1	10	<--->
Angled Support Bracket	DN-ASB1	50	<--->	DN-ASB1	50	<--->
End Bracket	DN-EB35	50	<--->	DN-EB35	50	<--->
Slotted Screwdriver	DN-SS1	1	<--->	DN-SS1	1	<--->

ZL-CM16L120



ZL-CM32L524



Note: See wiring details on our Web site at:
<http://www.automationdirect.com/static/manuals/ziplinks/ziplinks.html>