

Relay Sockets

Our single and four-channel 24 VDC and 120 VAC relay sockets are compatible with plug-in relays for switching high current (10A) loads. Relays ZL-RELAY-24 and ZL-RELAY-120 are sold separately.

Modules mount on 35 mm DIN rail part #DN-R35S1.



ZL-RS1 Series

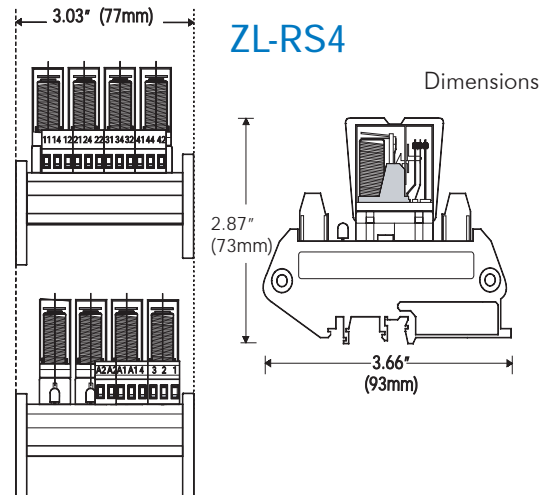
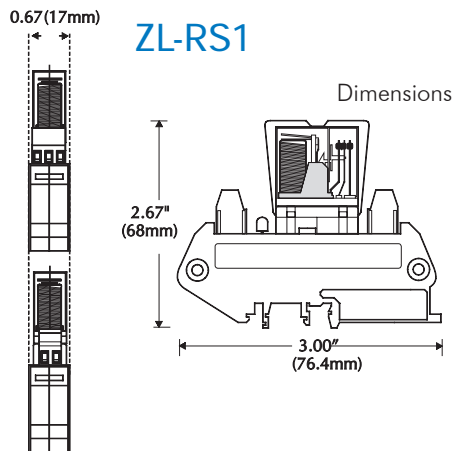


ZL-RS4-Series

Specifications

Relay Sockets	Part #	Pcs/Pkg	Price/Pkg	Part #	Pcs/Pkg	Price/Pkg	Part #	Pcs/Pkg	Price/Pkg	Part#	Pcs/Pkg	Price/Pkg
	ZL-RS1-24	1	<-->	ZL-RS1-120	1	<-->	ZL-RS4-24	1	<-->	ZL-RS4-120	1	<-->
Description	Ziplink single-channel relay socket for 24VDC relay			Ziplink single-channel relay socket for 120VAC relay			Zip link four-channel relay socket for 24VDC relay			Ziplink four-channel relay socket for 120VAC relay		
Approvals	UL/CUL/CE			UL/CUL/CE			UL/CUL/CE			UL/CUL/CE		
Terminal Block Contacts	Copper alloy tin-lead plating											
Contact Type	Form C (SPDT)			Form C (SPDT)			Form C (SPDT)			Form C (SPDT)		
Input Voltage	19.2-26.4VDC			120VAC			19.2-26.4VDC			120VAC		
Input Current-per-Channel	25mA±5%			15mA			25mA±5%			15mA		
Coil Supply Voltage	24VDC ±5%			120VAC -20%/+10%			24VDC ±5%			120VAC -20%/+10%		
Voltage Max Commutable	400VAC 125VDC			400VAC 125VDC			400VAC 125VDC			400VAC 125VDC		
Current Max for Relay	10A			10A			10A			10A		
Max Power Inductive	AC 1500VA, DC 150W			AC 1500VA, DC 150W			AC 1500VA, DC 150W			AC 1500VA, DC 150W		
Max Power Resistive	AC 2500VA, DC 300W			AC 2500VA, DC 300W			AC 2500VA, DC 300W			AC 2500VA, DC 300W		
Minimum Load	100mA 5VDC			100mA 5VDC			100mA 5VDC			100mA 5VDC		
Isolation Contact Coil	2.5K VAC/60Sec			2.5K VAC/60Sec			2.5K VAC/60Sec			2.5K VAC/60Sec		
Isolation Contact - Channel to Channel	1K VAC/60Sec			1K VAC/60Sec			1K VAC/60Sec			1K VAC/60Sec		
LED Indicator State Relay	Red (on=relay on, off=relay off)			Red (on=relay on, off=relay off)			Red (on=relay on, off=relay off)			Red (on=relay on, off=relay off)		
Operating Temperature	-10°C to +50°C			-10°C to +40°C			-10°C to +50°C			-10°C to +40°C		
Dimensions (L x W x H)	.67" (17mm)x3.66" (93mm) x2.87" (73mm) with relay			.67" (17mm)x3.66" (93mm) x2.87" (73mm) with relay			.67" (17mm)x3.66" (93mm) x2.87" (73mm) with relay			.67" (17mm)x3.66" (93mm) x2.87" (73mm) with relay		

Note: For ZL-RS1-120 and ZL-RS4-120 models only, use ZL-CAPKIT when connecting to the output of an AC triac device.



Note: See wiring details on our Web site at:
<http://www.automationdirect.com/static/manuals/ziplinks/ziplinks.html>