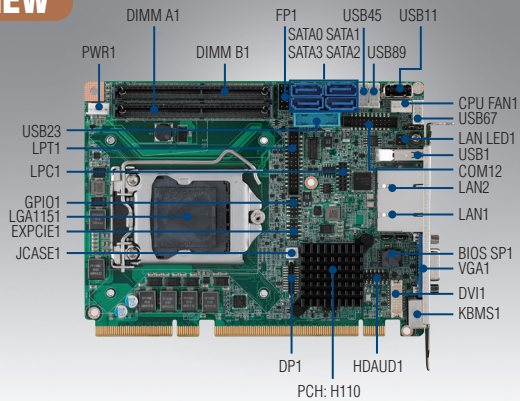


PCE-3029

**LGA 1151 6th Gen Intel® Core™ i7/i5/i3
Half-size SHB with PCIe 3.0/
Dual Independent Display/Dual GbE LAN/
SATA III/m-SATA/ USB 3.0**

NEW



Features

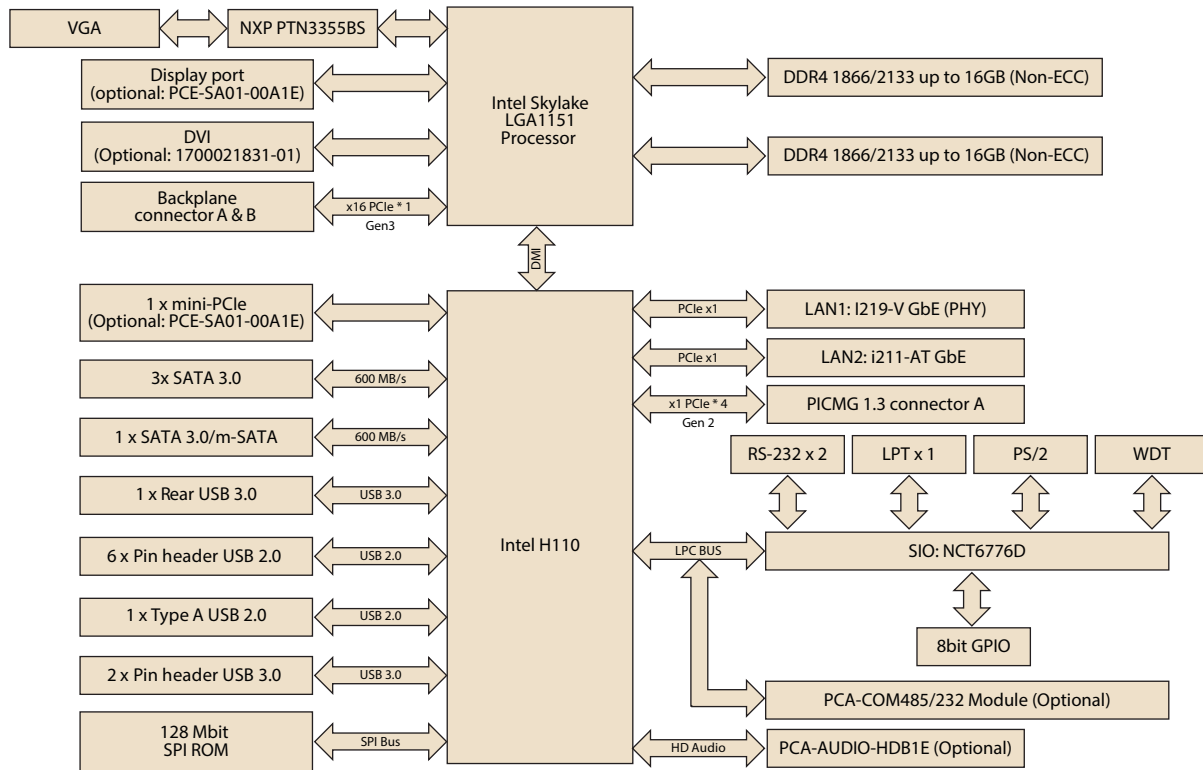
- Complies with PICMG 1.3
- Supports Intel® Core™ i7/i5/i3/Celeron®/Pentium® processor with H110 chipset
- Dual Channel (Non-ECC) DDR4 1866/2133 up to 32 GB
- Supports USB 3.0, SATA III, PCIe 3.0
- Supports CRT and DVI-D/DP (optional) display
- Supports Advantech TPM module (optional)
- Supports SUSIAccess and embedded software APIs

CE FCC

Specifications

Processor System	CPU	i7-6700	i7-6700TE	i5-6500	i5-6500TE	i3-6100	i3-6100TE	G4400	G4400TE	G3900	G3900TE	
	Base Frequency	3.4 GHz	2.4 GHz	3.2 GHz	2.3 GHz	3.7 GHz	2.7 GHz	3.3 GHz	2.9 GHz	2.8 GHz	2.6 GHz	
	L3 Cache	8 MB	8 MB	6 MB	6 MB	4 MB	4 MB	3 MB	3 MB	2 MB	2 MB	
	SKU/Chipset	Intel H110										
Bus	BIOS	AMI 128 Mbit SPI Flash										
	PCI-Express	One x16 (Gen 3) plus four x1 (Gen 3) to backplane										
Memory	Technology	Dual channel (Non-ECC) DDR4 1866/2133 up to 32 GB										
	Max. Cap.	32 GB (16 GB per DIMM)										
	Socket	DDR4 260-pin SO-DIMM x2										
Graphics	Controller	Chipset integrated Intel HD Graphics										
	VRAM	Shared system memory is subject to OS										
	CRT	Supports resolution up to 1920 x 1200 pixel at 60Hz										
	Display Port	Supports resolution up to 4096 x 2304 pixel at 60Hz										
	DVI-D	Supports resolution up to 1920 x 1200 pixel at 60Hz										
Ethernet	Dual Independent Display	VGA+ DVI-D/DP (Optional)										
	Interface	10/100/1000 Mbps										
Rear I/O	Controller	LAN 1: Intel I219V LAN 2: Intel I211AT										
	Connector with LED	RJ-45 x 2										
	USB 3.0	1										
Internal Connector	Ethernet	2										
	VGA	1										
	PS/2	1 (PS/2 Y cable supports 1 x keyboard and 1 x mouse)										
	USB	7 USB 2.0 (Pin-header *6 + USB Type A *1); 2 USB 3.0 (Pin header)										
	SATA/m-SATA	SATA III x4 (600MB/sec) or SATA III x3 (600MB/sec)+m-SATA x1										
	mini-PCIe	(Optional: PCE-SA01-00A1E, PCIe Gen 2.0)										
	DVI-D	1										
	DP	1										
Watchdog Timer	COM	2 (RS-232)										
	Parallel	1 (SPP/EPP)										
	GPIO	8 bits										
	Output	System reset										
Miscellaneous	Interval	Programmable 1-255 sec										
	Audio	Intel High Definition audio interface (required an audio extension module P/N: PCA-AUDIO-HDB1E)										
Power Requirement	Test Environment	Intel Core i7-6700 (3.4GHz), DDR4 2133 8GB *2										
	Voltage	12V	5V	3.3V	5VSB	-12V	-5V					
	Current	4.6	0.01	0.32	0.08	0	0					
Environment	Temperature/Humidity	Operating							Non-operating			
		0 ~ 60 °C(32~140 °F); Depends on CPU frequency and cooler solution							-40 ~ 85°C and 60 °C @ 95% RH Non-Condensing			
		Operating humidity: 40 °C @ 85% RH Non-Condensing										
Physical	Dimensions	167.64 mm x 126.39 mm (6.6" x 4.98")										

Board Diagram



Ordering Information

Part Number	PCH	Memory	Backplane	LAN	VGA	DVI-D	DP	COM	SATA III/ m-SATA	mini-PCIe	USB 2.0	USB 3.0	S/W RAID	AMT
PCE-3029G2-00A1E	H110	Non-ECC	PCE-3BXX	2	1	1*	1**	2 RS-232 4 RS-422/485 or 4 RS-232 (optional)***	4/0 3/1	1**	7	3	No	No

* DVI-D cable (1700021831-01) is optional.

** PCE-SA01-00A1E is required. PCE-SA01-00A1E is compatible with IPC-3026/IPC-6806S/ACP-4D00/ACP-4020, but not compatible with IPC-3012.

***PCA-COM485-00A1E is required for additional 4 RS422/485; PCA-COM232-00A1E is required for additional 4 RS232.

Optional Accessories

Part Number	Description
PCA-COM485-00A1E	4 x RS-422/485 module
PCA-COM232-00A1E	4 x RS-232 module
PCA-AUDIO-HDB1E	Audio module with Realtek ACL892
PCA-TPM-00A1E	TPM module (Trust Platform management)
PCE-SA01-00A1E	IO extension module
1700021831-01	DP to DVI-D cable w/ BKT
1960052651N021	2U cooler for Intel Core i7-6700, i7-6700TE, i5-6500, i5-6500TE, i3-6100, i3-6100TE, G4400, G4400TE, G3900, G3900TE
1960053207N001	1.5U cooler for Intel Core i7-6700, i7-6700TE, i5-6500, i5-6500TE, i3-6100, i3-6100TE, G4400, G4400TE, G3900, G3900TE
1960053065N001	1U cooler for Intel Core i7-6700TE, i5-6500TE, i3-6100TE, G4400TE, G3900TE

Packing List

Part Number	Description	Quantity
1700003194	Serial ATA HDD data cable	x1
1700022749-11	Serial ATA HDD power cable	x1
1700008762	2-port COM cable	x1
1700002223	1-port LPT cable	x1
1700060202	Keyboard and mouse Y-cable	x1
1700020277-01	2 ports USB 3.0 cable W/BKT	x1
1700014398-11	4-port USB cable kit	x1
1703040100	Power Converter	x1
9689000002	Jumper package	x1
2001302910	Startup manual	x1
2061302900	Utility CD	x1

Bracket View



PCE-3029G2-00A1E